



FUJII ELECTRIC

SPLIT TYPE ROOM AIR CONDITIONER

WALL MOUNTED type

SERVICE MANUAL

Models	Indoor unit	Outdoor unit
	RS-30EA RS-30E3A	RO-30EA RO-30E3A



CONTENTS

SPECIFICATIONS	1
OUTLINE AND DIMENSIONS.....	3
REFRIGERANT SYSTEM DIAGRAM	4
CIRCUIT DIAGRAM	5
INDOOR P. C. BOARD CIRCUIT DIAGRAM	7
INDOOR P. C. BOARD LAYOUTS	8
REMOTE CONTROL UNIT CODE SWITCHING	10
DISASSEMBLY ILLUSTRATION	11
PARTS LIST	18



Большая библиотека технической документации

<https://splitsistema48.ru/instrukcii-po-ekspluatacii-kondicionerov.html>

каталоги, инструкции, сервисные мануалы, схемы.

SPECIFICATIONS

MODELS	RS-30EA	RS-30E3A
	RO-30EA	RO-30E3A
COOLING CAPACITY	(kW)	7.90 - 8.00

ELECTRICAL DATA

POWER SOURCE		220 - 240 V~	3N~ 380 - 415 V
FREQUENCY	(Hz)	50	
RUNNING CURRENT	(A)	16.0 - 16.3	5.9 - 5.9
INPUT WATTS	(kW)	3.30 - 3.40	
EER	(kW/kW)	2.39 - 2.35	
MOISTURE REMOVAL	(ℓ/hr)	3.5	
AIR CIRCULATION-HI	(m ³ /h)	1,060	

COMPRESSOR

TYPE		Hermetic type, 2 pole, Single phase, Induction motor	Hermetic type, 2 pole, Three phase, Induction motor
CODE		ZR42K3E-PFJ	ZR42K3E-TFD
REFRIGERANT	R407C	(g)	2,400

FAN MOTOR

POWER SOURCE		220 - 240 V~	
INDOOR UNIT	TYPE	MFA-30CTH	
	HI-SPEED	(r.p.m.)	1,330
	MED-SPEED	(r.p.m.)	1,200
	LO-SPEED	(r.p.m.)	1,050
OUTDOOR UNIT	TYPE	MFB-30DFT	
	HI-SPEED	(r.p.m.)	760
	LO-SPEED	(r.p.m.)	470

DIMENSIONS

INDOOR UNIT		320 x 1,250 x 195	
OUTDOOR UNIT	H x W x D	(mm)	900 x 900 x 350

WEIGHTS

INDOOR UNIT		25 / 18	
OUTDOOR UNIT	GROSS / NET	(kg)	89 / 77

MODELS			RS-30EA	RS-30E3A
			RO-30EA	RO-30E3A
REFRIGERANT CIRCUIT	DISCHARGE PRESSURE	kg / cm ² G	21.5	
	SUCTION PRESSURE	kg / cm ² G	4.5	
	DISCHARGE TEMP.	°C	75	
	REFRIG. PIPE LENGTH	m	7.5	
	DISCHARGE AIR TEMP.	°C	12	
CONDITION	INDOOR ENTERING AIR TEMP.	DB / WB °C	27.0 / 19.0	
	OUTDOOR ENTERING AIR TEMP.	DB / WB °C	35.0 / 24.0	
PIPING	PIPE DIA. SIZE	LIQUID	mm	9.53
		GAS		15.88
	CONNECTION METHOD			Flare
	BETWEEN	HEIGHT	m	15 Max.
		PIPE LENGTH		30 Max.
REFRIGERANT TYPE			R407C	

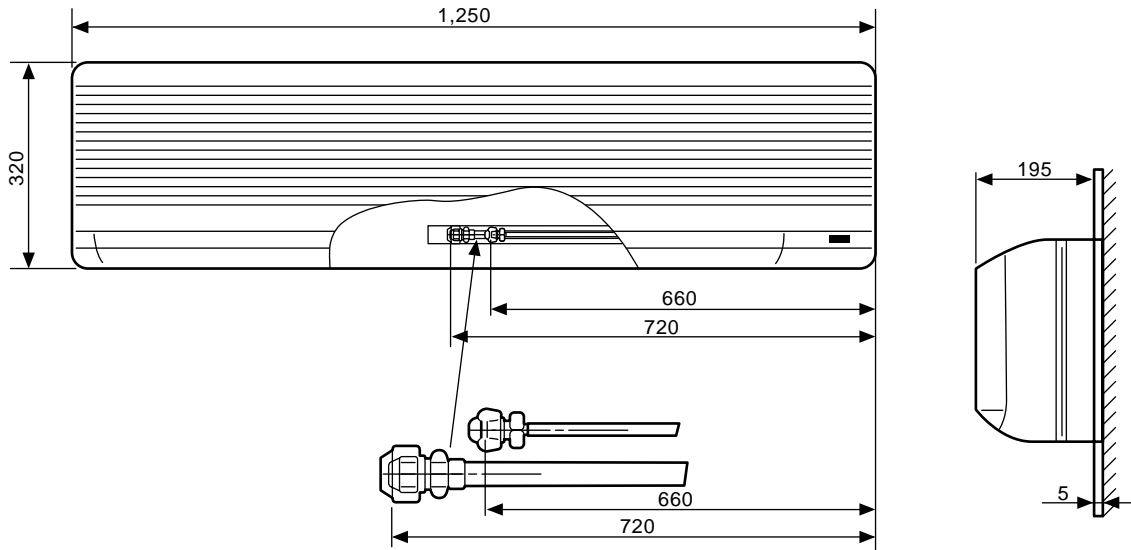
REFRIGERANT CHARGE

MODELS		PIPE LENGTH					Additional refrigerant
		5 m (16 ft)	10 m (33 ft)	15 m (49 ft)	20 m (66 ft)	25 m (82 ft)	
FULL CHARGE AMOUNT (R407C)	RS-30EA RS-30E3A	2,400 g (84.7 oz)			2,485 g (87.7 oz)	2,570 g (90.7 oz)	17 g / m (0.6 oz / 3.3 ft)

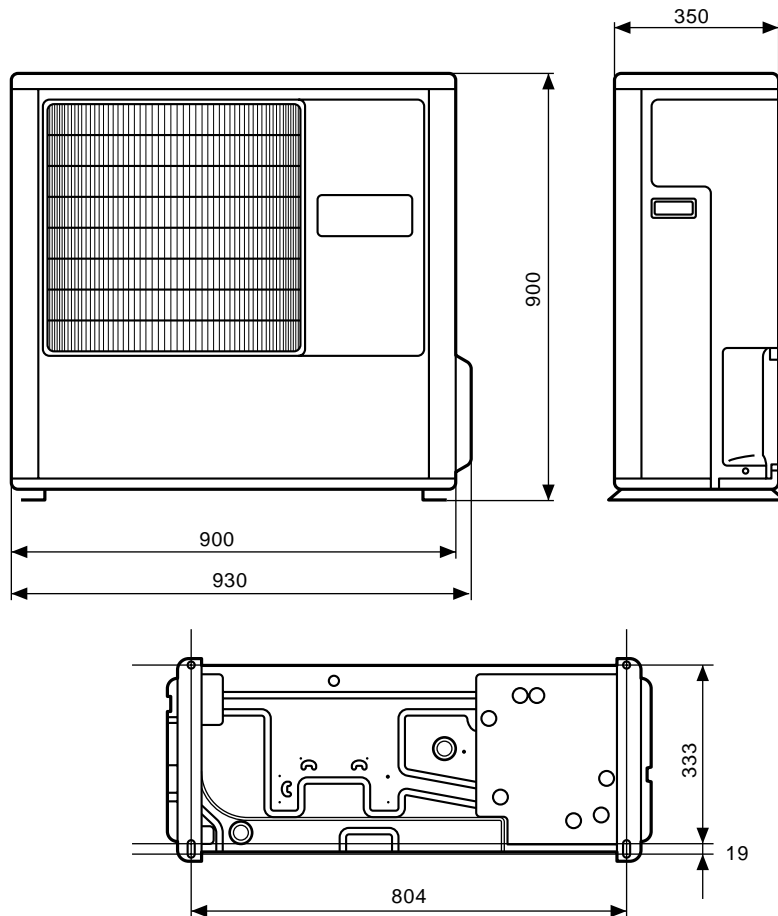
OUTLINE AND DIMENSIONS

Models : RS-30EA
RS-30E3A

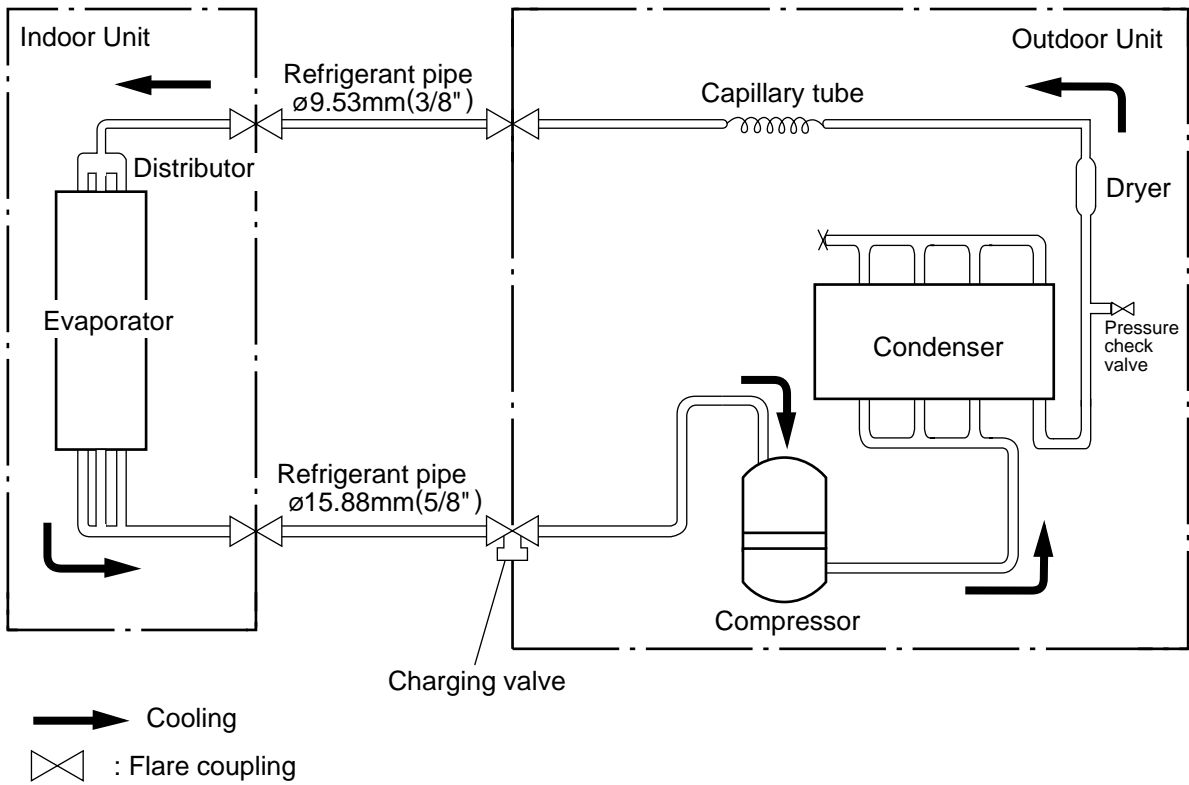
Unit : mm



Models : RO-30EA
RO-30E3A

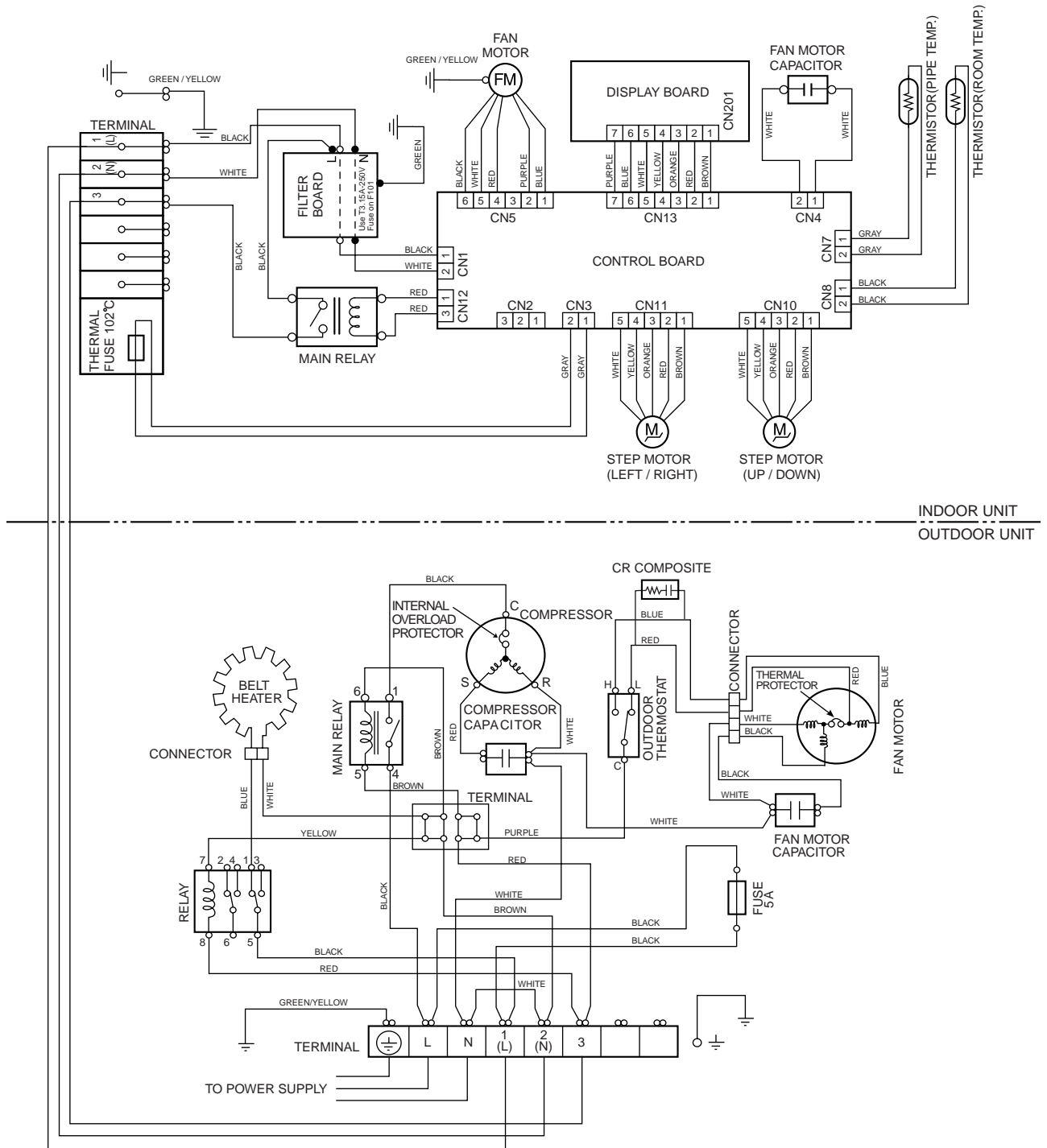


REFRIGERANT SYSTEM DIAGRAM

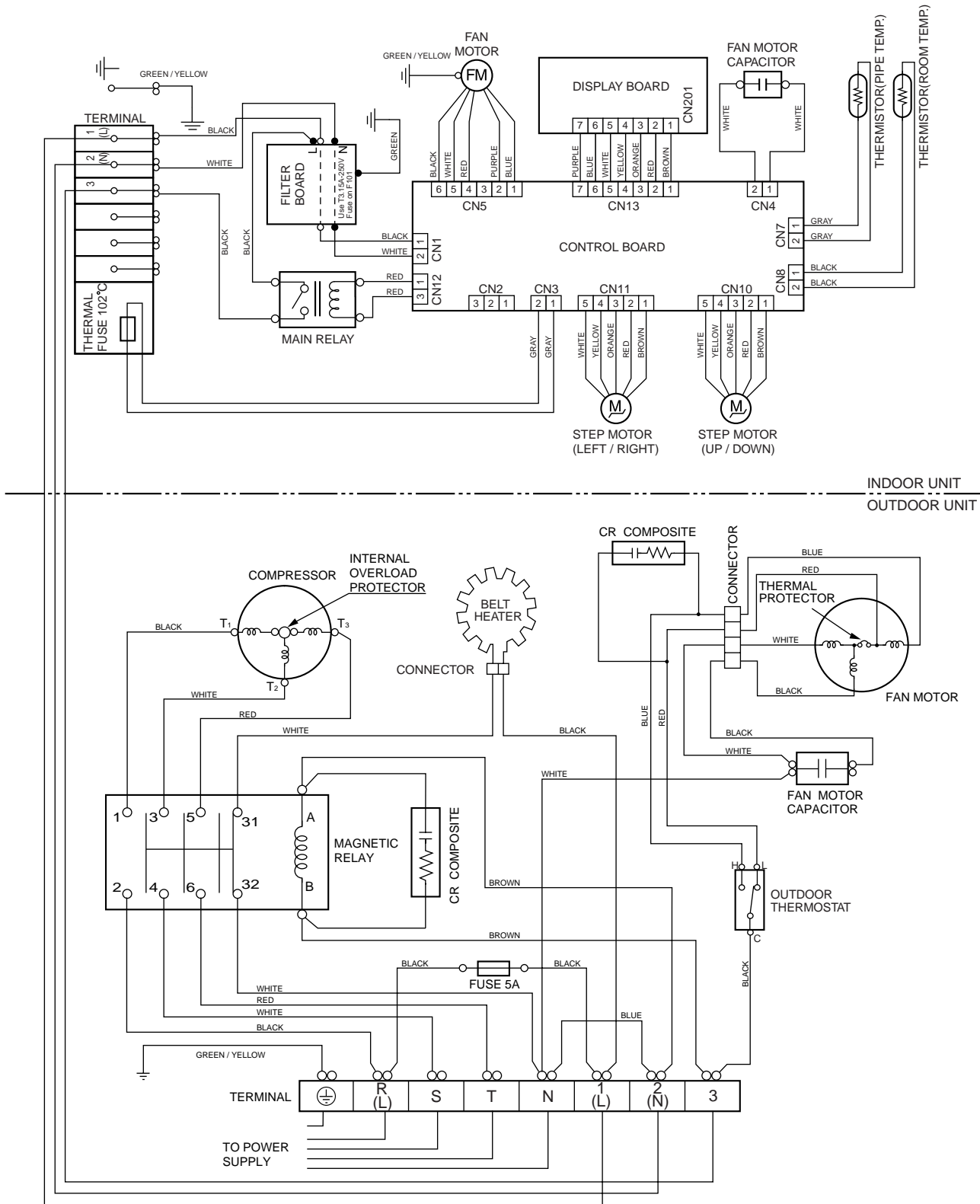


CIRCUIT DIAGRAM

Models : RS-30EA / RO-30EA

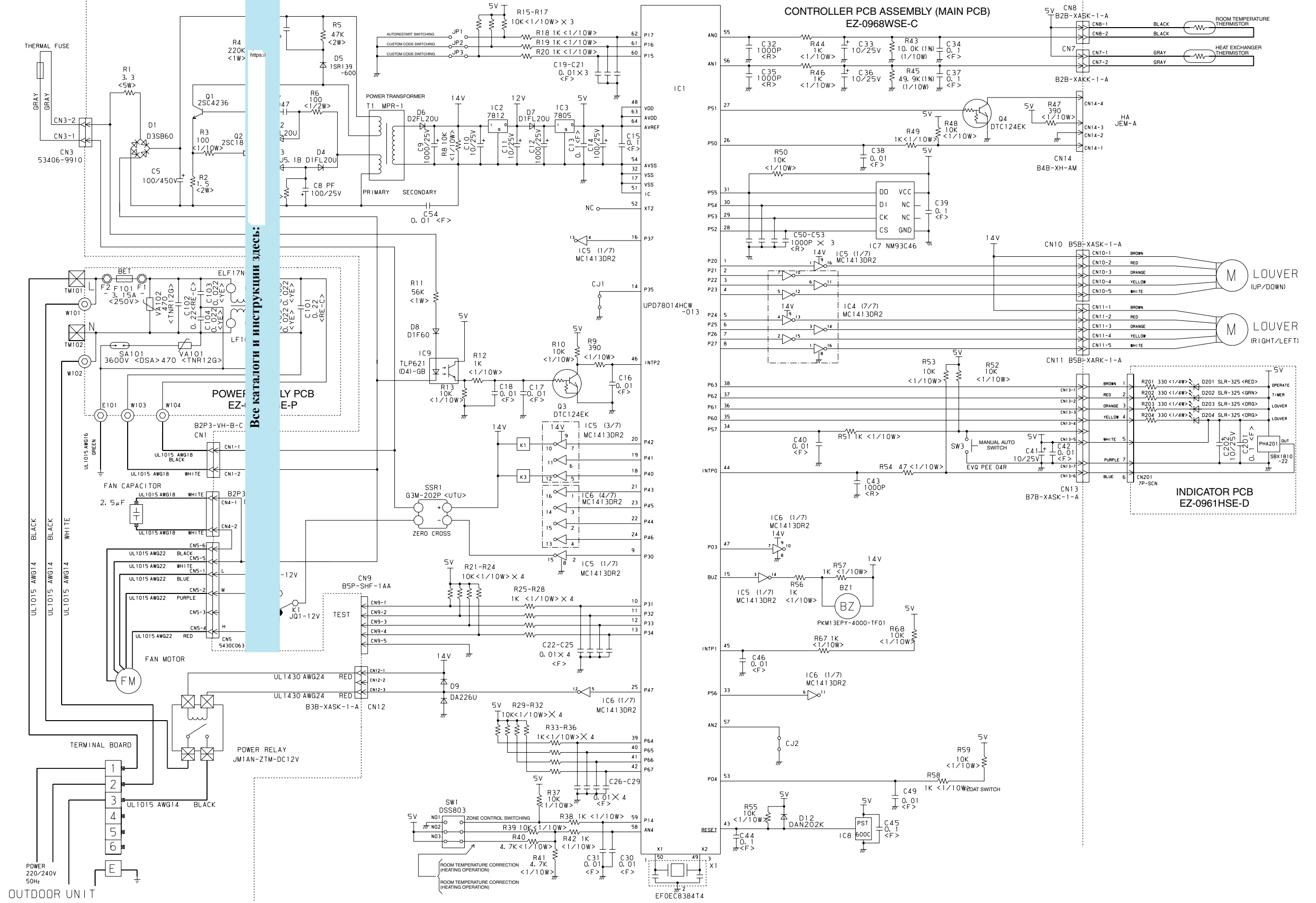


Models : RS-30E3A / RO-30E3A



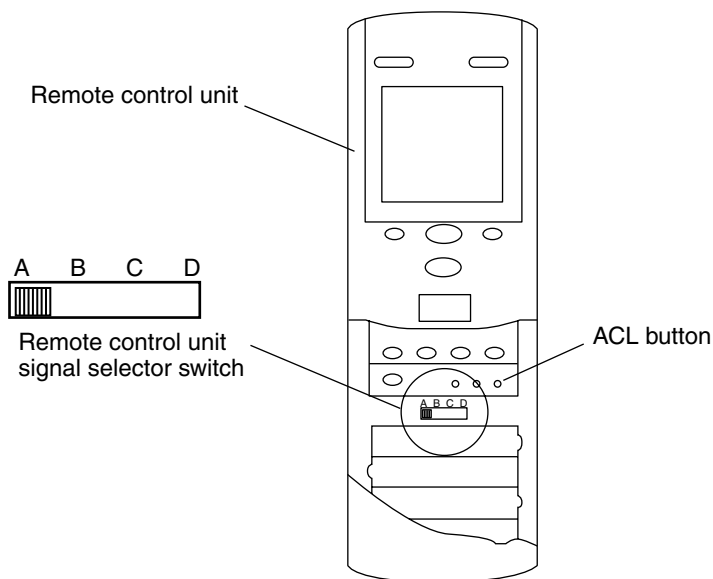
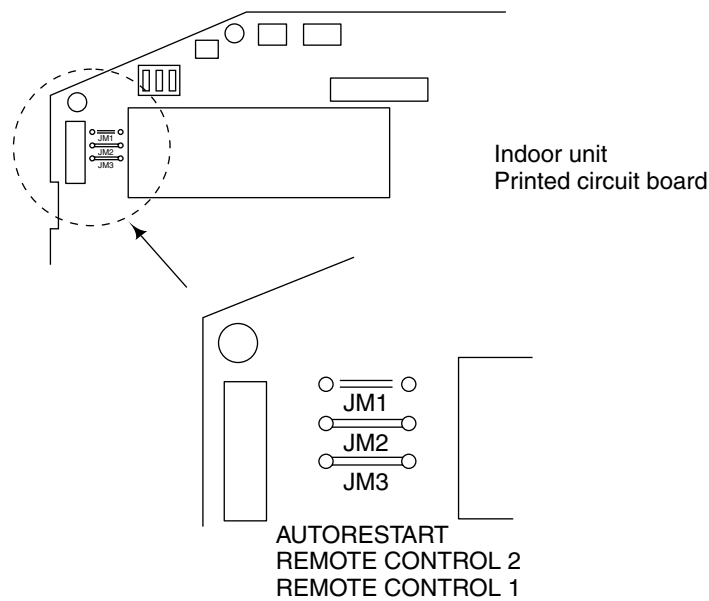
INDOOR PRINTED CIRCUIT BOARD CIRCUIT DIAGRAM

Models : RS-30EA
RS-30E3A



Все каталоги и инструкции здесь:

REMOTE CONTROL UNIT CODE SWITCHING



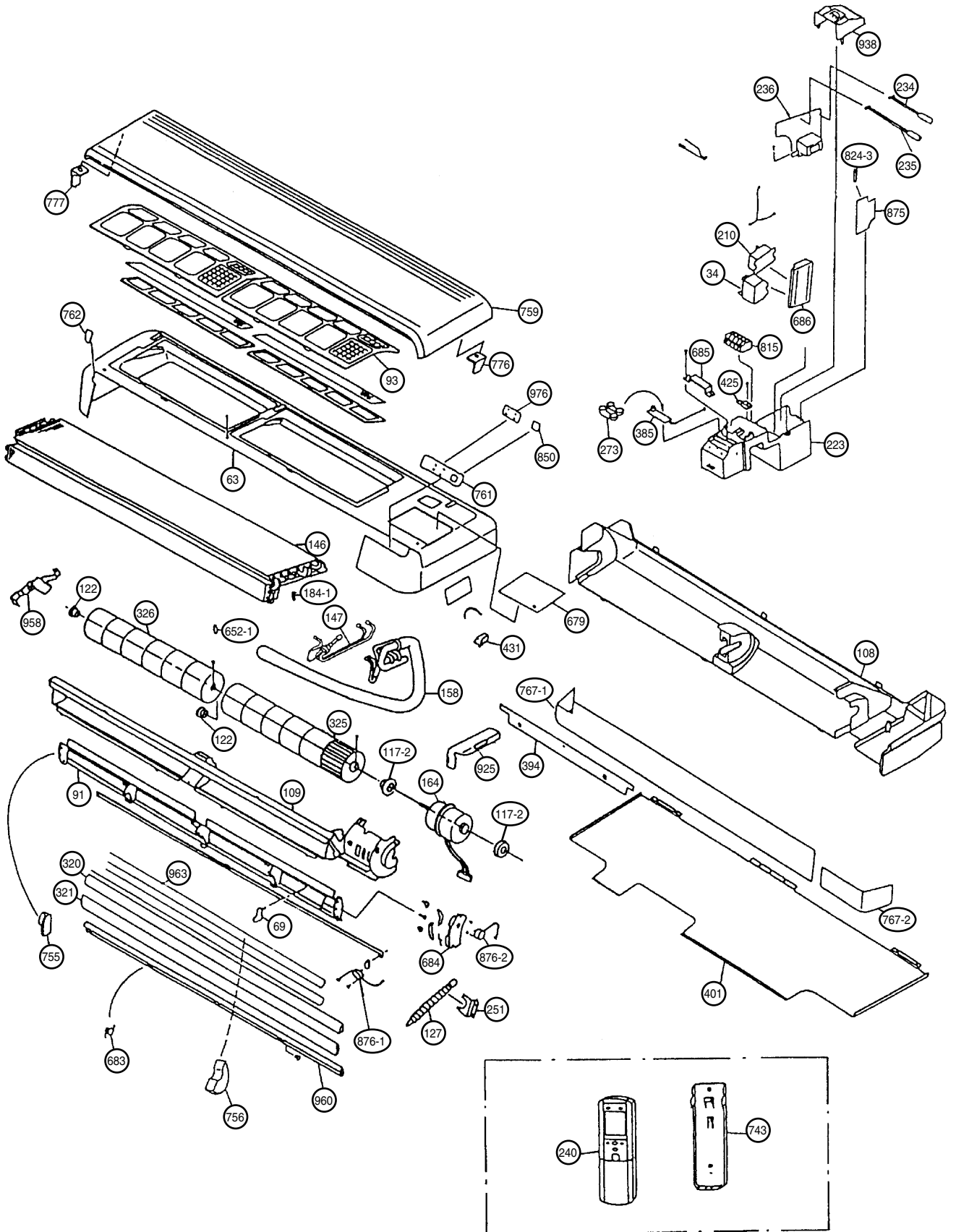
Confirm the remote control unit signal selector switch selection and printed circuit board setting. If these are not confirmed, the remote control unit cannot be operated for the air conditioner.

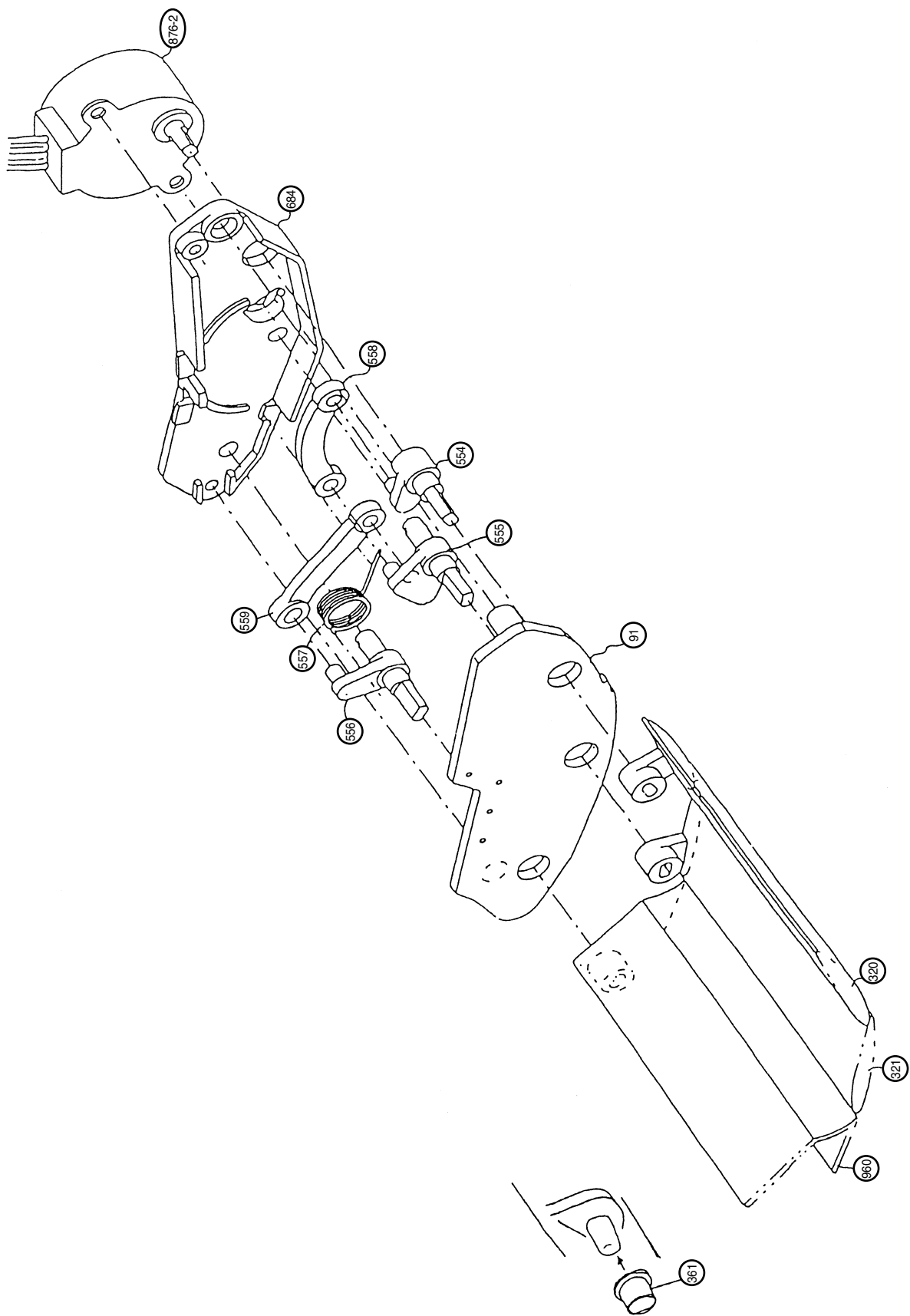
Jumper wire		Remote control unit signal selector switch
JM 2	JM 3	
Connect	Connect	A (Primary setting)
Connect	Disconnect	B
Disconnect	Connect	C
Disconnect	Disconnect	D

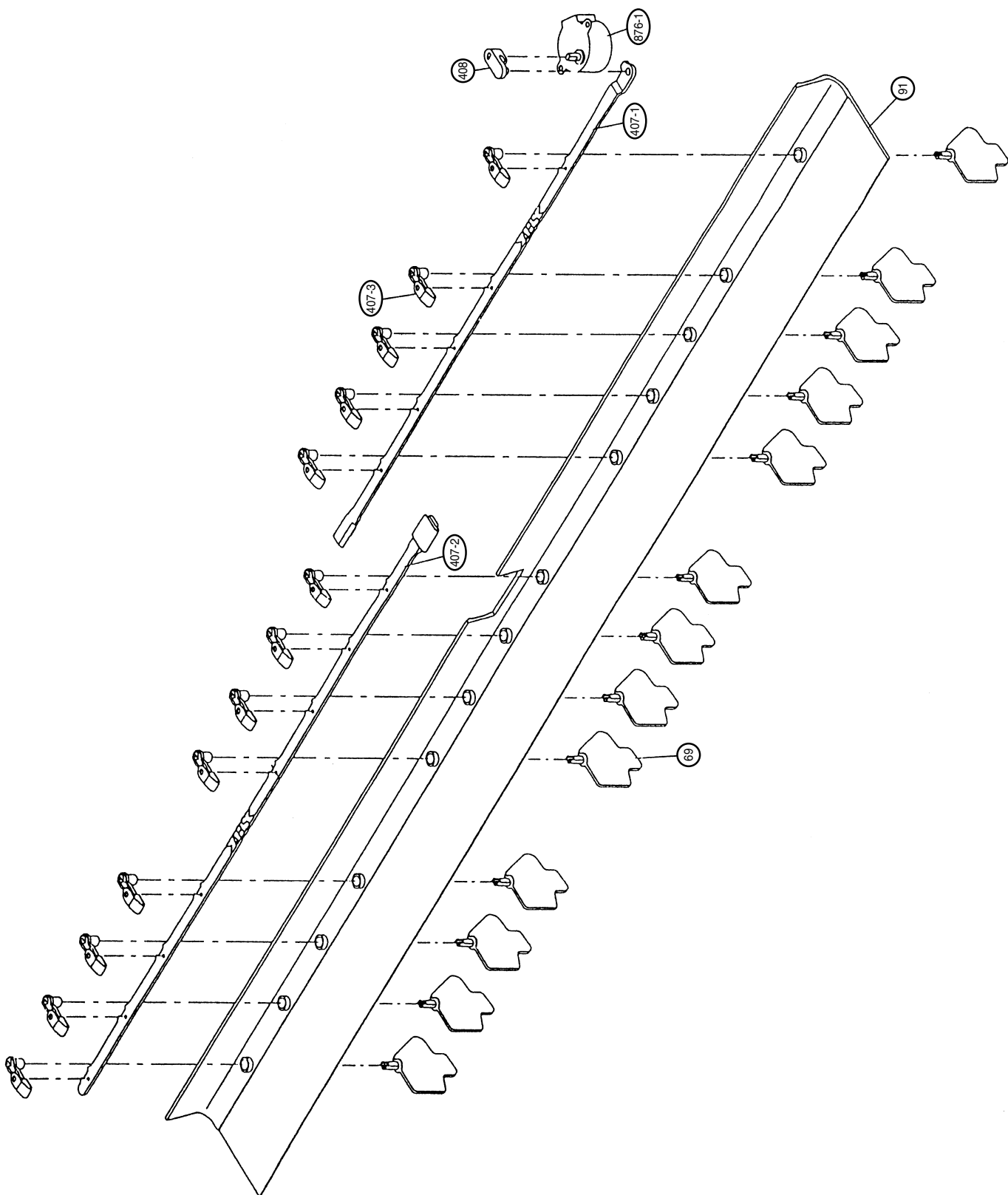
After setting the remote control unit signal selector switch, press the ACL button.

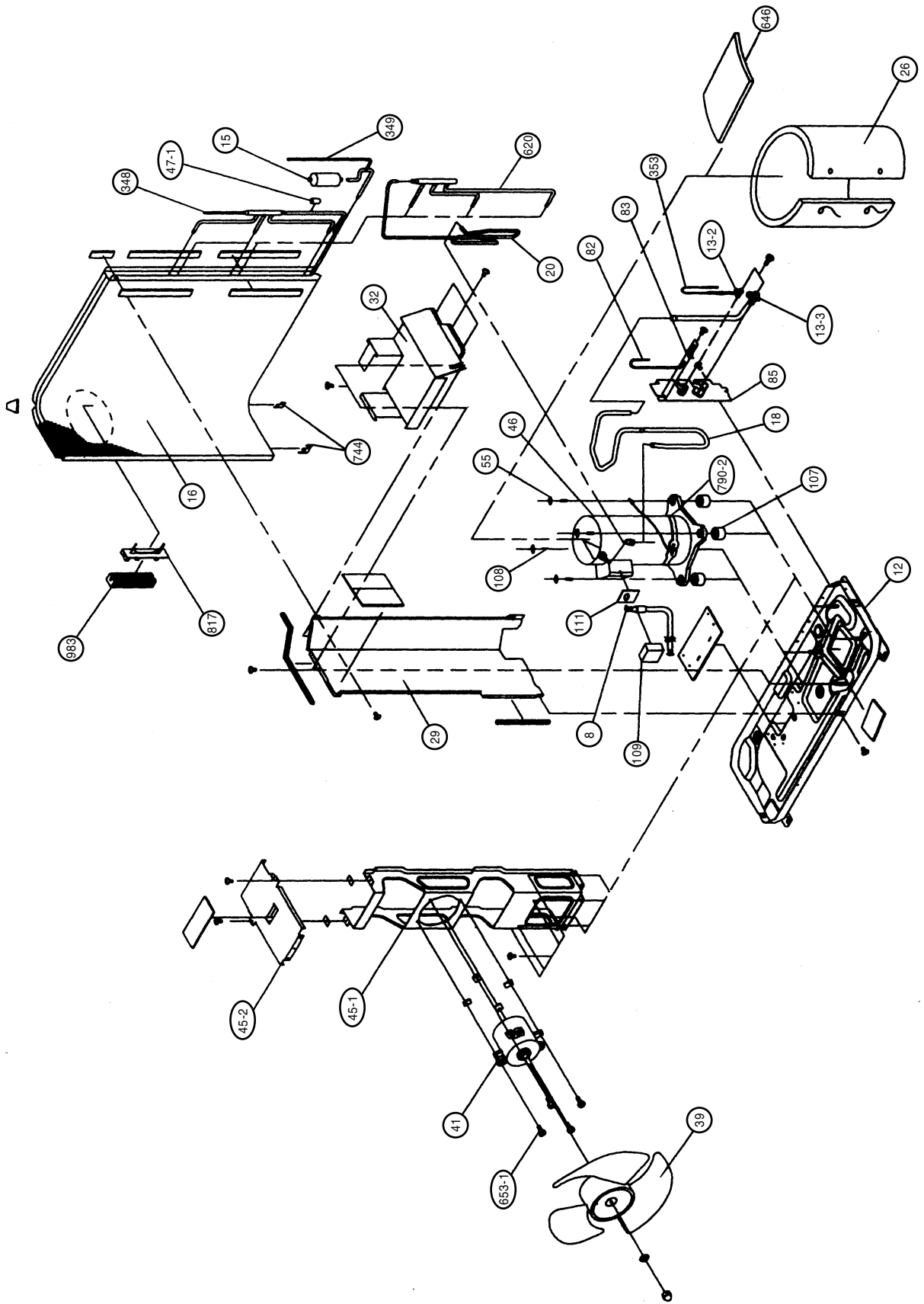
DISASSEMBLY ILLUSTRATION

Models : RS-30EA
RS-30E3A

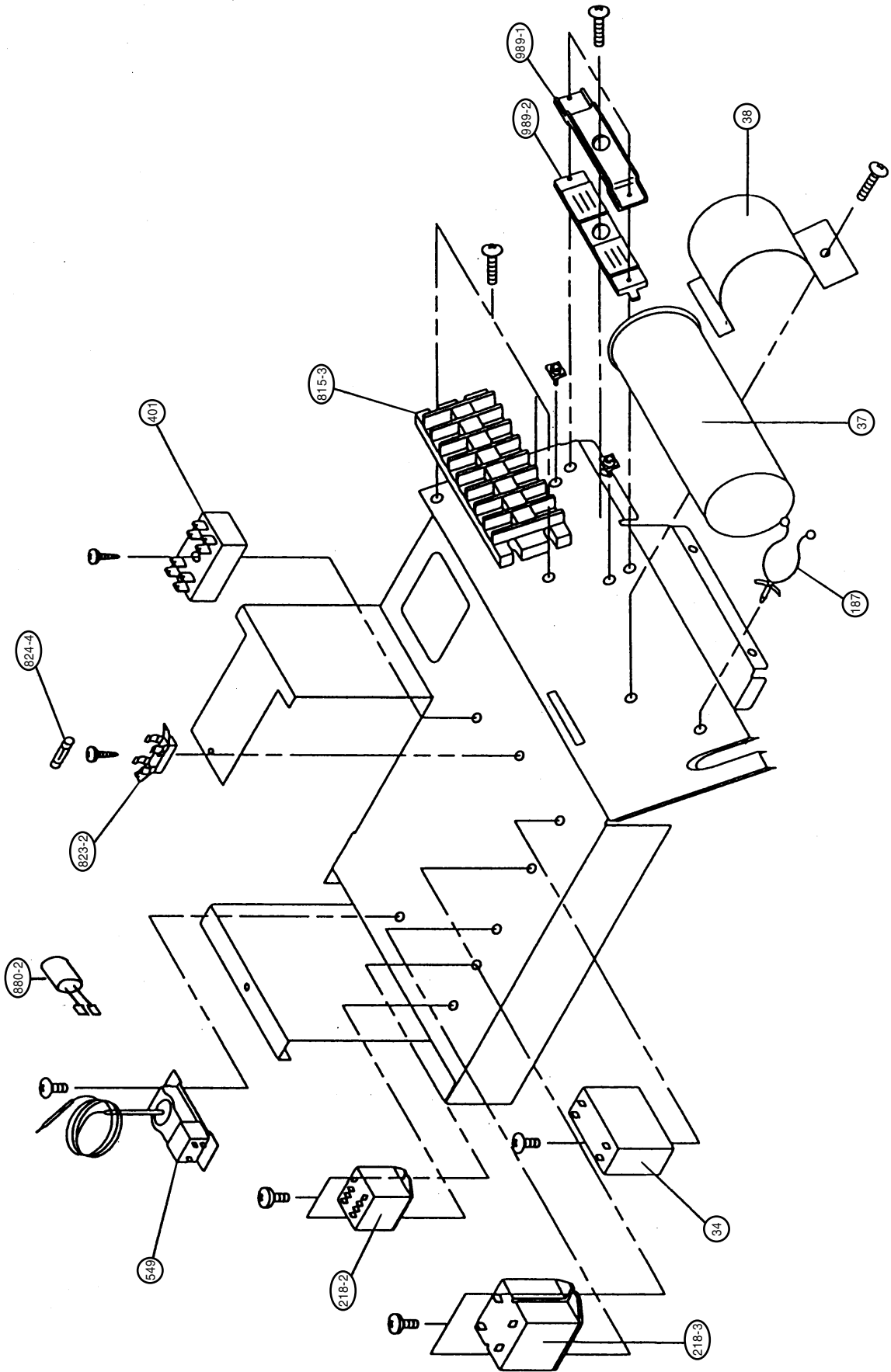




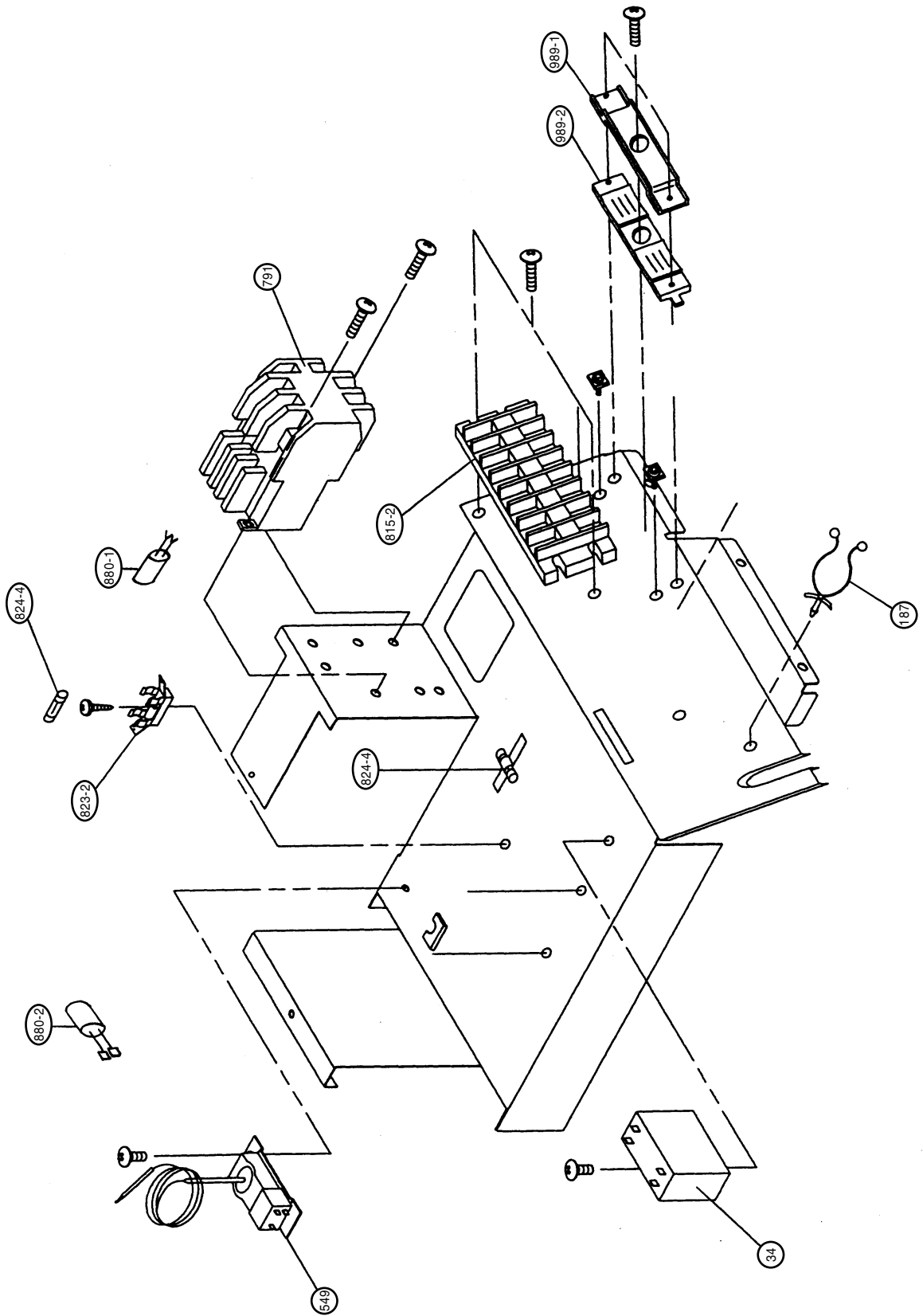




Model : RO-30EA



Model : RO-30E3A



PARTS LIST

When you order parts, please make a photocopy of this page and fill the number of the parts in the "Order" column.

INDOOR UNIT

Ref. No.	Description	Part No.		Ord. Q'ty	Ref. No.	Description	Part No.		Ord. Q'ty
		RS-30EA	RS-30E3A				RS-30EA	RS-30E3A	
34	Capacitor (Fan Motor)	9700468073	9700468073		431	Fixture-A	313546156408	313546156408	
63	Panel (Front) Total Assy	9358181041	9358181041		554	Flap Link-Upper	9357924007	9357924007	
69	Louver	9357933016	9357933016		555	Flap Link-Lower	9357925004	9357925004	
91	Hinge Plate	9361281011	9361281011		556	Diffuser Link	9357926001	9357926001	
93	Air Filter	9364577012	9364577012		557	Diffuser Spring	9357947006	9357947006	
108	Base	9357948010	9357948010		558	Rod-A	9357927008	9357927008	
109	Casing	9361280014	9361280014		559	Rod-B	9357928005	9357928005	
117-2	Rubber (Vibration-proof)	9361237001	9361237001		652-1	Thermistor Holder Pipe	313806262805	313806262805	
122	Shaft Holder-B	9357921006	9357921006		679	Cover (Power)	9357916019	9357916019	
127	Drain Hose Assy	9364231006	9364231006		683	Balance Spring	9358151006	9358151006	
146	Evaporator Assy	9366148005	9366148005		684	Motor Base	9357929002	9357929002	
147	Inlet Pipe (Eva.)Assy	9366150008	9366150008		685	Cover (Terminal)	9357955001	9357955001	
158	Joint Pipe Assy-E	9366149002	9366149002		686	Holder (Relay)	9357960005	9357960005	
164	Fan Motor Assy-In	9358643013	9358643013		743	Remote Control Unit Holder	9359955016	9359955016	
184-1	Thermistor Spring-A	313728262708	313728262708		755	Cover (Casing)-L	9363786019	9363786019	
210	Main Relay	9356781007	9356781007		756	Cover (Casing)-B	9363787016	9363787016	
223	Control Box	9357953007	9357953007		759	Intake Grille-F	9359024019	9359024019	
234	Thermistor Assy-Room	9703299018	9703299018		761	Cover (Side)-R	9357901022	9357901022	
235	Thermistor Assy-Pipe	9703297038	9703297038		762	Cover (Side)-L	9357902029	9357902029	
236	Controller PCB Assy	9701941025	9701941025		767-1	Bottom Cover-A	9357949017	9357949017	
240	Remote Control Unit	9359913061	9359913061		767-2	Bottom Cover-B	9357950013	9357950013	
251	Bracket (Hose)-B	9362208017	9362208017		776	Hook (Grille)-R	9357986012	9357986012	
273	Holder (Lamp)	9357958002	9357958002		777	Hook (Grille)-L	9357985015	9357985015	
320	Flap (Upper)-O	9357939025	9357939025		815	Terminal-6P	9357954004	9357954004	
321	Flap (Lower)	9357940014	9357940014		824-3	Fuse	0600285210	0600285210	
325	Cross Flow Fan-R Assy	9357918006	9357918006		850	Receiver Window	9357917016	9357917016	
326	Cross Flow Fan-L Assy	9357919003	9357919003		875	Filter PCB Assy	9702017026	9702017026	
361	Bushing	9357942001	9357942001		876-1	Motor Step-H	9359763000	9359763000	
385	Indicator PCB Assy	9701869015	9701869015		876-2	Motor Step-V	9359762003	9359762003	
394	Bracket, Panel (Pipe)	9357951003	9357951003		925	Panel (Eva. Right)-B	9357909004	9357909004	
401	Bracket, Panel	9357952000	9357952000		938	Cover (Switch)	9357956015	9357956015	
407-1	Motor Rod	9357931005	9357931005		958	Bracket, Panel (Eva.)	9358626009	9358626009	
407-2	Louver Rod	9357932002	9357932002		960	Diffuser	9357941011	9357941011	
407-3	Louver Stopper	9357934006	9357934006		963	Fan Guard	9357936000	9357936000	
408	Louver Link	9357935003	9357935003		976	Display Window	9357903019	9357903019	
425	Earth Plate	9357957005	9357957005						

When you order parts, please make a photocopy of this page and fill the number of the parts in the "Order" column.

OUTDOOR UNIT

Ref. No.	Description	Part No.		Ord. Q'ty	Ref. No.	Description	Part No.		Ord. Q'ty
		RO-30EA	RO-30E3A				RO-30EA	RO-30E3A	
2	Fan Cover	9359808015	9359808015		109	Terminal Cover (For Comp.)	9364087009	9364087009	
4	Emblem-Rear	9361328006	9361328006		111	Terminal Packing (For Comp.)	9364086002	9364086002	
5	Cabinet-A, Painted	9359797029	9359797029		187	Clamp No. 1219	313361271706	313361271706	
8	Wire Assy (Shield)-D	9366201007	9359904045		218-2	Power Relay	9351553012	—	
9	Cabinet-B, Painted	9359798026	9359798026		218-3	Power Relay	9353619006	—	
12	Base Assy, Painted	9359812029	9359812029		348	Outlet Pipe (Cond.) Assy	9366197003	9366197003	
13-2	3-Way Valve (3/8)	9362380003	9362380003		349	Outlet Pipe-E Assy	9366198000	9366198000	
13-3	Packed Valve (5/8)	9366193005	9366193005		353	Valve-A Assy	9366194002	9366194002	
15	Dryer	9362498005	9362498005		401	Terminal	9701971015	—	
16	Condenser Assy	9366202004	9366202004		407	Clip (Cable) No.1259	313739340109	313739340109	
18	Suction Pipe Assy	9366190004	9366190004		477	Bellmouth	9359809012	9359809012	
20	Discharge Pipe Assy	9366187004	9366187004		527	Protection Net	9359844013	9359844013	
26	Compressor Cover	9365270004	9365270004		549	Thermostat-Outer	9352553004	9352553004	
29	Separate Wall	9359804017	9359804017		620	Inlet Pipe (Cond.) Assy	9366196006	9366196006	
32	Control Box Metal	9359839019	9359839019		646	Compressor Cover-B	9365271001	9365271001	
34	Capacitor (Fan Motor)	313806068209	313806068209		653-1	Bolt (Fan Motor Fixing)	0700156014	0700156014	
37	Running Capacitor	9703107023	—		734	Cabinet Top Plate , Painted	9359799023	9359799023	
38	Capacitor Clamp	9360610010	—		744	Clamp (Condenser)	313166374106	313166374106	
39	Propeller Fan Assy	9359837015	9359837015		790-2	Belt Heater	9361140066	9361140066	
41	Fan Motor Assy-Out	9600832011	9600832011		791	Magnetic Relay	—	9352552007	
45-1	Motor Bracket	9359801016	9359801016		812	Grip	9352157004	9352157004	
45-2	Motor Bracket Top	9359803010	9359803010		815-2	Terminal-8P	—	9363276022	
46	Compressor Assy	9367373000	9367374007		815-3	Terminal-8P	9358660119	—	
47-1	Rubber (Discharge Pipe)	313194159807	313194159807		817	Thermostat Fixture	9352164019	9352164019	
55	Special Nut M8 (For Comp.)	313252257701	313252257701		823-2	Fuse Holder	0500063024	0500063024	
64	Cabinet-Left	9359840022	9359840022		824-4	Fuse	0600222529	0600222529	
82	Check Joint Assy	9366186007	9366186007		880-1	Network	—	9700987017	
83	Check Joint Bracket	9359807018	9359807018		880-2	Network	9701020010	9701020010	
84	Valve Cover	9359817017	9359817017		949-1	Screw, Painted	9305648009	9305648009	
85	Valve Fixing Plate	9359806011	9359806011		983	Thermostat Cover	9358274002	9358274002	
107	Rubber Seat-A (For Comp.)	9364084008	9364084008		989-1	Cord Clamp-A	9359822011	9359822011	
108	Sleeve-A (For Comp.)	9364085005	9364085005		989-2	Cord Clamp-B	9359823018	9359823018	

When you order parts, please make a photocopy of this page and fill the number of the parts in the "Order" column.

CONTROLLER PCB ASSEMBLY (Ref. No. 236)

Ref. No.	Description	Part No.	Ord. Qty	Ref. No.	Description	Part No.	Ord. Qty
IC1	IC μPD78014HCW-013	9702426026		R54	Res. 1/10W 47ohm±5%	0200212425	
IC3	IC NJM7805FA	0100462081		CJ1,2, JM7	Res. 0 ohm	0200212012	
IC4-6	IC μPA2003GRE2	0100028041		C5	Cap. Elec. 450V 100mfd	0300256060	
IC7	IC BR93LC46RF-E2	0100295016		C6	Cap. Plastic 4700pF	0300269091	
IC8	IC PST600CMTR	0101461120		C7	Cap. Plastic 50V 0.047mfd	0300169339	
IC9	IC TLP621(D4)-GB	0000117074		C8	Cap. Elec. 25V 100mfd	0301197560	
Q1	Xstr 2SC4236	0000164047		C9	Cap. Elec. 25V 1000mfd	0301196495	
Q2	Xstr 2SC1815	0000002011		C10,33,36,41	Cap. Elec. 25V 10mfd	0301192312	
Q3,4	Xstr DTC124EKA	0000936033		C12	Cap. Elec. 25V 1000mfd	0301158264	
D1	Diode D3SB60	0000689045		C13,15,34,37,39,44,45	Cap. Ceramic 50V 0.1mfd	0300311752	
D2,4,7	Diode D1FL20U	0000746519		C14	Cap. Elec. 25V 100mfd	0301192350	
D3	Diode MTZJ5.1B	0000852166		C16-31,38,40,42,46,49	Cap. Ceramic 50V 0.01mfd	0300311738	
D5	Diode 1SR139-600	0000353120		C32,35,43,50-53	Cap. Ceramic 50V 1000pF	0300308509	
D6	Diode D2FL20U	0000906500		C54	Cap. Ceramic 0.01mfd	0300727539	
D8	Diode D1F60	0000208024		SW3	Switch, Push KSM0632B	9703476013	
D9	Diode DA226U	0000625036		T1	Power Transformer ETS28AS118AH	9702727017	
D12	Diode DAN202K	0000684019		X1	Ceramic Resonator EF0EC8384T4	9701261017	
R1	Res. Cement 5W 3.3ohm±10%	0200153148		BZ1	Buzzer PKM13EPY-4000-TF01	9701298013	
R2	Res. Metal Oxide 1.5ohm±5%	0201107119		K1,3	Relay JQ1-12V	9701316014	
R3	Res. 1/10W 100ohm±5%	0200212500		SSR1	Relay G3M-202P-UTU	9701829019	
R4	Res. Carbon 220kohm±5%	0200111353		JM2-5	Wire L=10mm 0.6dia.	9700025016	
R5	Res. Metal Oxide 47kohm±5%	0201107652		JM9	Res. 0 ohm	0200230016	
R6	Res. 1/2W 100ohm±5%	0200731506		CN1	Plug, PCB 5-1123724-2	0501321574	
R7	Res. 1/4W 330ohm±5%	0200708621		CN3	Plug, PCB 53406-9910	0500951048	
R8,10,13,15-17,21-24,29-32,37,39,48,50,52,53,55,59,68	Res. 1/10W 10kohm±5%	0200213019		CN4	Plug, PCB 2-1123724-2	0501321529	
R9,47	Res. 1/10W 390ohm±5%	0200212647		CN5	Plug, PCB 5430C063	0500957026	
R11	Res. Metal Oxide 56kohm±5%	0201106662		CN7	Plug, PCB B2B-XAKK-1-A	0501045227	
R12,18-20,25-28,33-36,38,42,44,46,49,51,56-58,67	Res. 1kohm±5%	0200212746		CN8	Plug, PCB B2B-XASK-1-A	0501045012	
R40,41	Res. 1/10W 4.7kohm±5%	0200212906		CN9	Plug, PCB B5P-SHF-1AA	0500006069	
R43	Res. 1/10W 10kohm±1%	0200279497		CN10	Plug, PCB B5B-XASK-1-A	0501045043	
R45	Res. 1/10W 49.9kohm±1%	0200279824		CN11	Plug, PCB B5B-XARK-1-A	0501045517	
				CN12	Plug, PCB B3B-XASK-1-A	0501045029	
				CN13	Plug, PCB B7B-XASK-1-A	0501045067	
				CN14	Plug, PCB B4B-XH-AM	0500005314	

FILTER PCB ASSEMBLY (Ref. No. 875)

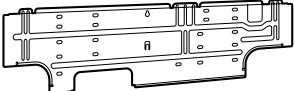
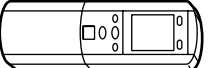
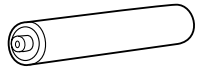

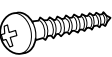

Ref. No.	Description	Part No.	Ord. Qty	Ref. No.	Description	Part No.	Ord. Qty
C101,102	Cap. Plastic 0.22mfd	0300304099		TM101,102	Plug Contact 86028	0500536016	
C105, C106	Cap. Plastic 0.022mfd	0301052098		LF101	EMI Filter ELF17N015A	0400197119	
SA101	Arrester DSA-362MA-05	0600168032		W101	Wire w/Terminal BLK L=120	9702060039	
VA101,102	Varistor TNR12G471K	0000038010		W102	Wire w/Terminal WHT L=180	9702060046	
F101	Fuse 2183.15	0600285210		W103,104	Wire Assy 2P #18	9702080013	
FH1,2	Fuse Holder PFC5000-0502	0500158072		E101	Wire w/Terminal GRN L=250	9701880010	

INDICATOR PCB ASSEMBLY (Ref. No. 385)


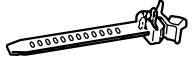

Ref. No.	Description	Part No.	Ord. Qty	Ref. No.	Description	Part No.	Ord. Qty
D201	Diode SLR-325VC RED	0000813259		R201-204	Res. Carbon 1/4W 330ohm±5%	0201038659	
D202	Diode SLR-325MC GRN	0000813242		PHA201	Remote Control Amplifier SBX1810-22	0101525129	
D203,204	Diode SLR-325DC ORG	0000813235		CN201	Wire w/Connector L=430 Lamp Holder	9701856015 9357958002	
C201	Cap. Ceramic 0.1mfd	0300988251					
C202	Cap. Elec. 25V 10mfd	0300004258					

STANDARD ACCESSORIES

INDOOR UNIT ACCESSORIES

Name and Shape	Part No.
Wall hook bracket 	9357952000
Remote control unit 	9359913061 (AR-DL6)
Battery (penlight) 	0600185534
Remote control unit holder 	9359955016
Tapping screw (big) ($\phi 4 \times 20$) 	301141164200
Tapping screw (small) ($\phi 3 \times 12$) 	301141533125

OUTDOOR UNIT ACCESSORIES

Name and Shape	Part No.
Hexagon wrench 	9351228019
Cable clip 	313739340109
Tapping screw (painted) 	9305648009



MANUFACTURER :

Fuji Denki Sosetsu Co., Ltd.

Tokyo, Japan



Большая библиотека технической документации

<https://splitsystema48.ru/instrukcii-po-ekspluatácii-kondicionerov.html>

каталоги, инструкции, сервисные мануалы, схемы.